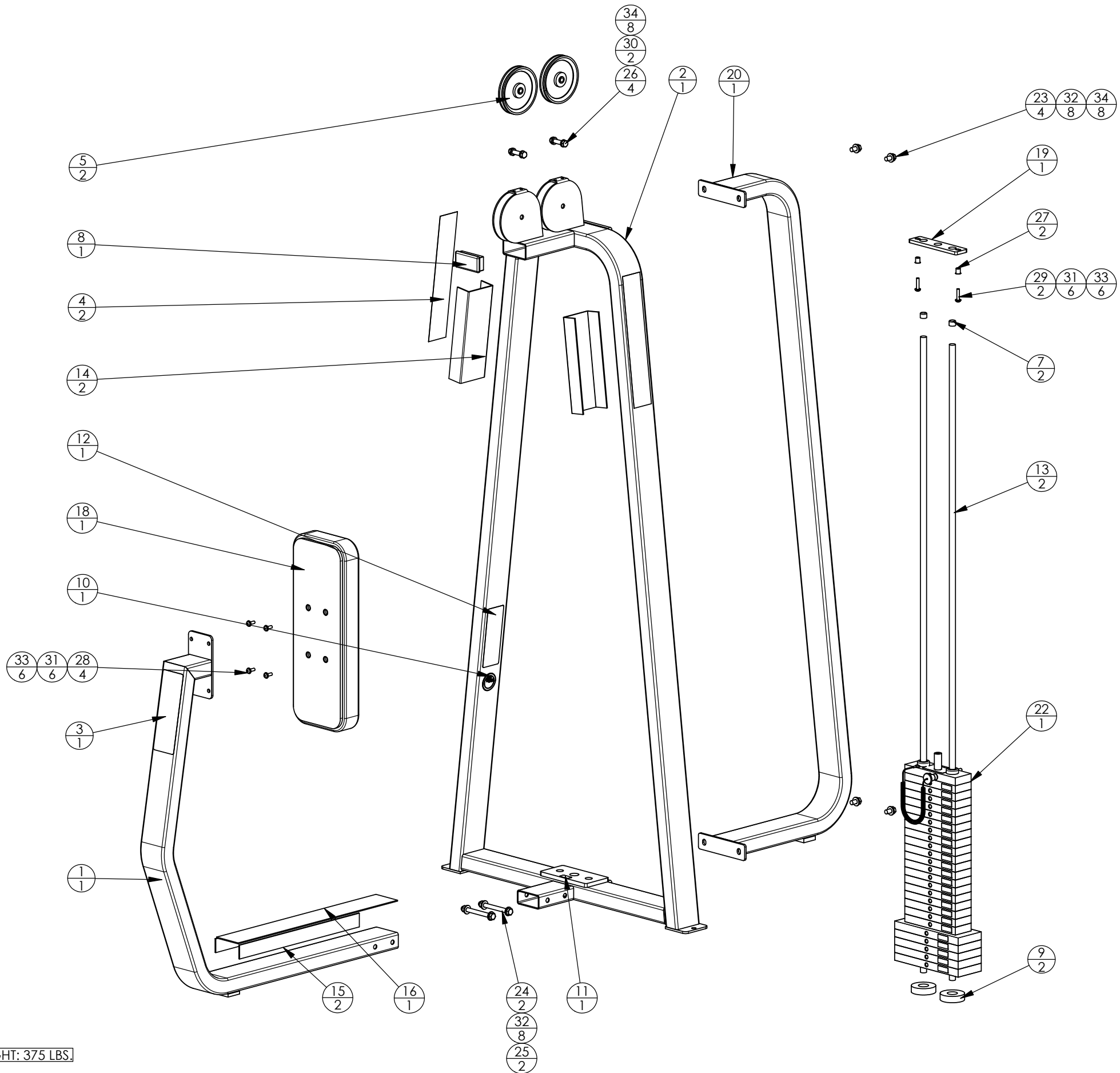


REVISIONS				
REV	ECN #	DESCRIPTION	REV. BY/DATE	APR. BY
A	-----	REDRAWN & UPDATED IN SOLIDWORKS	04/2000	



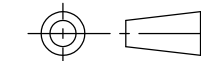
ITEM NO.	QTY.	PART NO.	DESCRIPTION
1	1	212-SA-1	212 BACK SUPPORT FRAME ASSY
2	1	212-302-SA-1	212/302 MAIN FRAME ASSY.
3	1	AC0212B	LABEL, INSTRUCTION, "PUSHDOWN 212"
4	2	AC1002	LABEL, "ICARIAN", 3 1/2 x 21 1/2
5	2	AC1010	PULLEY, 6" DIA x 1/2" ID
6	1	AC1036	CARBINE HOOK
7	2	AC1040	CAP, GUIDE ROD, DIA. 3/4
8	1	AC1057	CAP, BLACK PLASTIC, 2 x 4
9	2	AC1148	WEIGHT STACK BUMPER
10	1	AC1161	LABEL, ROUND, "MADE IN USA"
11	1	AC1164	LABEL, F.P.I. SERIAL NUMBER
12	1	AC1183	LABEL, "WARNING, SERIOUS INJURY..."
13	2	CH1218	STEEL BAR RND, DIA. 3/4" x (80 3/4), #8
14	2	CP1081	CUT PIECE, ABS CHANNEL, 1/8 x 2 x 4 1/4 x 12
15	2	CP1120	ABS BLACK, 1/8 x 1 3/4 x 20 3/4
16	1	CP1146	ABS BLACK, 1/8 x 3 3/4 x 27 5/8
17	1	GJ-212S-84-875	CABLE ASSY, GJ-212S-84-875
18	1	PD1104	PAD, 9 x 24, 4 HOLES
19	1	PF1016	STEEL BAR FLAT CR/HR, 3/8 x 2 x (8 1/4)
20	1	SA1078-1	FLANGED 'C' FRAME ASSY, W/O BRACKETS
21	1	SA1090	HANDLE, TRICEP PUSHDOWN
22	1	WS1501	WEIGHT STACK, 25 PLATES, 150 LBS.
23	4	FA1011	BOLT, HEX HEAD, BLK, 1/2-13 x 1
24	2	FA1020	BOLT, HEX HEAD, BLK, 1/2-13 x 5
25	2	FA1030	NUT, HEX, NYLOCK, 1/2-13
26	4	FA1035	NUT, HEX, ACORN, 1/2-13
27	2	FA1055	NUT, INSERT, 5/16-18
28	4	FA1071	BOLT, BUTTON HEAD, 5/16-18 x 1
29	2	FA1072	BOLT, BUTTON HEAD, 5/16-18 x 1 1/2
30	2	FA1101	STUD, 1/2-13 x 2 1/2
31	6	FA1106	WASHER, FLAT, 5/16 ID x 11/16 OD
32	8	FA1109	WASHER, FLAT, 1/2 ID x 1 1/16 OD
33	6	FA1116	WASHER, SPLIT, 5/16 ID
34	8	FA1119	WASHER, SPLIT, 1/2 ID

WEIGHT: 375 LBS.

UNLESS OTHERWISE SPECIFIED DIMENSIONS ARE IN INCHES

TOLERANCES ARE:
 FRACTIONS ± 1/32 DECIMALS .XX ± .01 ANGLES ± 1°
 .XXX ± .005

THIRD ANGLE PROJECTION



DO NOT SCALE DRAWING



FITNESS PRODUCTS INTERNATIONAL
 ICARIAN FLITE ABENCH JADE STRETCH CENTER
 12660 BRANFORD ST. SUN VALLEY, CA. 91352

APPROVALS	DATE
DESIGNED BY JCV	11/99
MODELED BY JCV	11/99
DRAWN BY RJB	04/00
APPROVED BY	

TITLE
**TRICEP PUSHDOWN
 SINGLE**

SIZE **B** DWG. NO. **212-EXP**

SCALE **1:13**
 SHEET **1** OF **2**
 REV **A**

212 Tricep Pushdown Single

Part Number	Description	Bubble Number
CW212SA1-211	ASSY, FRAME, BACK SUPPORT, 212, SKY	1.01
CW212SA1-221	ASSY, FRAME, BACK SUPPORT, 212,BLAC	1.02
CW212SA1-231	ASSY, FRAME, BACK SUPPORT, 212, RED	1.03
CW212SA1-241	ASSY, FRAME, BACK SUPPORT, 212, PLA	1.04
CW212SA1-251	ASSY, FRAME, BACK SUPPORT, 212, SIL	1.05
CW212SA1-261	ASSY, FRAME, BACK SUPPORT, 212, BLU	1.06
CW212SA1-271	ASSY, FRAME, BACK SUPPORT, 212, CHA	1.07
CW212SA1-281	ASSY, FRAME, BACK SUPPORT, 212, CAT	1.08
CW212SA1-291	ASSY, FRAME, BACK SUPPORT, 212, SIL	1.09
CW212SA1-311	ASSY, FRAME, BACK SUPPORT, 212,STON	1.11
CW212SA1-321	ASSY, FRAME, BACK SUPPORT, 212, TIT	1.12
CW212SA1-331	ASSY, FRAME, BACK SUPPORT, 212, WHI	1.13
CW212SA1-341	ASSY, FRAME, BACK SUPPORT, 212, BLA	1.14
CW212SA1-351	ASSY, FRAME, BACK SUPPORT, 212, LIG	1.15
CW212SA1-361	ASSY, FRAME, BACK SUPPORT, 212, SAP	1.16
CW212302SA1-211	ASSY,FRAME,MAIN,212/302,SKY WHITE	2.01
CW212302SA1-221	ASSY,FRAME,MAIN,212/302,BLACK	2.02
CW212302SA1-231	ASSY,FRAME,MAIN,212/302,RED	2.03
CW212302SA1-241	ASSY,FRAME,MAIN,212/302,PLAT SPRKLE	2.04
CW212302SA1-251	ASSY,FRAME,MAIN,212/302,SILVER	2.05
CW212302SA1-261	ASSY,FRAME,MAIN,212/302,BLUE	2.06
CW212302SA1-271	ASSY,FRAME,MAIN,212/302,CHARCOAL	2.07
CW212302SA1-281	ASSY,FRAME,MAIN,212/302,CATH GRAY	2.08
CW212302SA1-291	ASSY,FRAME,MAIN,212/302,SILVER VIEN	2.09
CW212302SA1-311	ASSY,FRAME,MAIN,212/302,STONE HG	2.11
CW212302SA1-321	ASSY,FRAME,MAIN,212/302,TITANIUM HG	2.12
CW212302SA1-331	ASSY,FRAME,MAIN,212/302,WHITE GLOSS	2.13
CW212302SA1-341	ASSY,FRAME,MAIN,212/302,BLACK ONYX	2.14
CW212302SA1-351	ASSY,FRAME,MAIN,212/302,LT. BRONZE	2.15
CW212302SA1-361	ASSY,FRAME,MAIN,212/302,SAPPHIRE BL	2.16
CWAC1010-101	PULLEY, 6 DIA X 1/2 ID	5
CW12589-741	CARBINE, HOOK, MEDIUM, 5/16" DIA, 3	6
CW12404-101	CAP, GUIDE ROD,DIA 3/4, BLK	7
CW11311-102	ENDCAP, REC TUBE, 2X4, BLK PLASTIC	8
CW12402-101	BUMPER, WEIGHT STACK, BLK RUBBER	9
CWPF1218-711	GUIDE ROD,DIA 3/4 X (80 3/4),#8,CHM	13
CWCP8112-000	CUT PIECE, ABS CHANNEL,1/8 X 2 X 4	14
CW30012-107	CUT PIECE, ABS BLACK, 1/8 X 1 3/4 X	15
CW30012-116	CUT PIECE, ABS BLACK, 1/8 X 3 3/4 X	16
CWCLGJ084-875	ASSY, CABLE, 212	17
CWPD1104B-101	PAD,9X24,4HOLES,W/BP,BLACK	18.01
CWPD1104B-102	PAD,9X24,4HOLES,W/BP,RYL BL	18.02
CWPD1104B-103	PAD,9X24,4HOLES,W/BP,DVE GRY	18.03
CWPD1104B-104	PAD,9X24,4HOLES,W/BP,CROCUS	18.04
CWPD1104B-105	PAD,9X24,4HOLES,W/BP,GROTTO	18.05
CWPD1104B-106	PAD,9X24,4HOLES,W/BP,GRAPHITE	18.06
CWPD1104B-107	PAD,9X24,4HOLES,W/BP,RED	18.07
CWPD1104B-108	PAD,9X24,4HOLES,W/BP,CHN GRN	18.08
CWPD1104B-109	PAD,9X24,4HOLES,W/BP,TURQSE	18.09

CWPD1104B-110	PAD,9X24,4HOLES,W/BP,RASP	18.1
CWPD1104B-111	PAD,9X24,4HOLES,W/BP,PLUM	18.11
CWPD1104B-112	PAD,9X24,4HOLES,W/BP,REGIMENT	18.12
CWPD1104B-113	PAD,9X24,4HOLES,W/BP,SPC BLUE	18.13
CWPD1104B-115	PAD,9X24,4HOLES,W/BP,BLK LTHR	18.15
CWPD1104B-116	PAD,9X24,4HOLES,W/BP,NVBL LTH	18.16
CWPD1104B-117	PAD,9X24,4HOLES,W/BP,PUTTY	18.17
CWPD1104B-118	PAD,9X24,4HOLES,W/BP,IMPRL BLUE	18.18
CWPD1104B-119	PAD,9X24,4HOLES,W/BP,YEW GREEN	18.19
CWPD1104B-120	PAD,9X24,4HOLES,W/BP,DUSTY JADE	18.2
CWPD1104B-121	PAD,9X24,4HOLES,W/BP,TERRA COTTA	18.21
CWPD1104B-122	PAD,9X24,4HOLES,W/BP,PAPRIKA	18.22
CWPD1104B-123	PAD,9X24,4HOLES,W/BP,ASH LTHR	18.23
CWPD1104B-124	PAD,9X24,4HOLES,W/BP,CERULEAN LTHR	18.24
CWPD1104B-125	PAD,9X24,4HOLES,W/BP,CHARCOAL LTHR	18.25
CWPD1104B-126	PAD,9X24,4HOLES,W/BP,HUNTER LTHR	18.26
CWPD1104B-127	PAD,9X24,4HOLES,W/BP,MOSS LTHR	18.27
CWPD1104B-128	PAD,9X24,4HOLES,W/BP,SPICE LTHR	18.28
CWPD1104B-129	PAD,9X24,4HOLES,W/BP,TOMATO LTHR	18.29
CWPF1016-731	BAR,,FLAT CR/HR, 3/8 X 2 X 8 1/4, 3	19
CWSA10781-211	ASSY,FLANGED "C" FRAME,W/O BRKTS, S	20.01
CWSA10781-221	ASSY,FLANGED "C" FRAME,W/O BRKTS, B	20.02
CWSA10781-231	ASSY,FLANGED "C" FRAME,W/O BRKTS, R	20.03
CWSA10781-241	ASSY,FLANGED "C" FRAME,W/O BRKTS, P	20.04
CWSA10781-251	ASSY,FLANGED "C" FRAME,W/O BRKTS, S	20.05
CWSA10781-261	ASSY,FLANGED "C" FRAME,W/O BRKTS, B	20.06
CWSA10781-271	ASSY,FLANGED "C" FRAME,W/O BRKTS, C	20.07
CWSA10781-281	ASSY,FLANGED "C" FRAME,W/O BRKTS, C	20.08
CWSA10781-291	ASSY,FLANGED "C" FRAME,W/O BRKTS, S	20.09
CWSA10781-311	ASSY,FLANGED "C" FRAME,W/O BRKTS	20.11
CWSA10781-321	ASSY,FLANGED "C" FRAME,W/O BRKTS, T	20.12
CWSA10781-331	ASSY,FLANGED "C" FRAME,W/O BRKTS, W	20.13
CWSA10781-341	ASSY,FLANGED "C" FRAME,W/O BRKTS, B	20.14
CWSA10781-351	ASSY,FLANGED "C" FRAME,W/O BRKTS, L	20.15
CWSA10781-361	ASSY,FLANGED "C" FRAME,W/O BRKTS, S	20.16
CW31591-731	HANDLE, TRICEP PUSHDOWN, BLACK ZINC	21
CW30094-150	WEIGHT STACK,150 LBS,STP-S,19 X 05	22
CWHCYN050-100	SCREW,HEX HEAD,BLK XYLAN,1/2-13 X 1	23
CWHCYN050-500	SCREW, HEX HEAD, BLK XYLAN, 1/2-13	24
CWKDYN050-059	LOCKNUT, NYLON INSERT, FULL, UNC, 1	25
CWKADLN050-081	NUT, ACORN, 1/2-13	26
CWTAYN031-100	SCREW, BUTTON HEAD, BLK XYLAN, 5/1	28
CWTAYN031-150	SCREW, BUTTON HEAD, BLK XYLAN,5/16	29
CWBFNN050-250	STUD, 1/2-13 X 2 1/2	30
CWWBKN031-007	WASHER, FLAT, TYPE A, SAE, 5/16 ID	31
CWWBKN050-010	WASHER, FLAT, TYPE A, SAE, 1/2 ID X	32
CWWALYN031-008	WASHER, SPLIT, 5/16 ID, BL	33
CWWALYN050-013	WASHER, SPLIT, 1/2 ID, BLK XYLAN	34
CW30010-101	LABEL,WARNING STRENGTH	35
CW30028-101	LABEL,INSTRUCTION,212	36
CW31756-101	LABEL, PRECOR USA ICARIAN LINE	37

CW10505-721	ASSY, PLATE, WEIGHT, 05 LBS, WRKL B	200
CW10510-721	ASSY, PLATE, WEIGHT, 10 LBS, WRKL B	201
CWAC1133-101	BUSHING, WEIGHT PLATE, LDPE PLASTIC	203
CW30172-751	ASSY, 4.00 IN WEIGHT STACK PIN AND	227
CWLDNN038-200	PIN, ROLL, DIA 3/8 X 2	250
CW30184-901	ASSY,BARREL, TOP PLATE,ALUMINUM	251
CW10535-722	PLATE, WEIGHT, SMALLTOP (STP-S), 0	281
CW30133-711	SELECTOR STEM, 25 PLATE,0 .875 DIA,	310
CW30011-101	LABEL,WARNING WEIGHT STACK	311
CW12401-102	LABEL, WEIGHT PLATE, 10 LBS/ 4.6 KG	315
CW12401-104	LABEL, WEIGHT PLATE, 15 LBS/ 6.8 KG	317
CW12401-106	LABEL, WEIGHT PLATE, 20 LBS/ 8 KG	319
CW12401-108	LABEL, WEIGHT PLATE, 25 LBS/ 11.4 K	321
CW12401-110	LABEL, WEIGHT PLATE, 30 LBS/ 13.6 K	323
CW12401-112	LABEL, WEIGHT PLATE, 35 LBS/ 15.9 K	325
CW12401-114	LABEL, WEIGHT PLATE, 40 LBS/ 18.2 K	327
CW12401-116	LABEL, WEIGHT PLATE, 45 LBS/ 20.5 K	329
CW12401-118	LABEL, WEIGHT PLATE, 50 LBS/ 22.7 K	331
CW12401-119	LABEL, WEIGHT PLATE, 55 LBS/ 25 KG	332
CW12401-120	LABEL, WEIGHT PLATE, 60 LBS/ 27.3 K	333
CW12401-121	LABEL, WEIGHT PLATE, 65 LBS/ 29.5 K	334
CW12401-122	LABEL, WEIGHT PLATE, 70 LBS/ 31.8 K	335
CW12401-123	LABEL, WEIGHT PLATE, 75 LBS/ 34.1 K	336
CW12401-124	LABEL, WEIGHT PLATE, 80 LBS/ 36.4 K	337
CW12401-125	LABEL, WEIGHT PLATE, 85 LBS/ 38.6 K	338
CW12401-126	LABEL, WEIGHT PLATE, 90 LBS/ 40.9 K	339
CW12401-127	LABEL, WEIGHT PLATE, 95 LBS/ 43.2 K	340
CW12401-128	LABEL, WEIGHT PLATE, 100 LBS/ 45.5	341
CW12401-129	LABEL, WEIGHT PLATE, 110 LBS/ 50 KG	342
CW12401-130	LABEL, WEIGHT PLATE, 120 LBS/ 54.6	343
CW12401-131	LABEL, WEIGHT PLATE, 130 LBS/ 59.1	344
CW12401-132	LABEL, WEIGHT PLATE, 140 LBS/ 63.6	345
CW12401-133	LABEL, WEIGHT PLATE, 150 LBS/ 68.2	346
CW12537-109	NUT,INSERT,THIN-NUT,LARGE FLANGE	400
CW30126-101	LABEL,VINYL, PRECOR, 3.25 X 18.0	401
CWKAYN031-025	LOCKNUT, NYLON INSERT, HALF, UNC,	402
CWPF2309-721	BAR, FLAT 3/16 X 1 X (30 3/4), 4 BE	403
CWPF3143-211	SHROUD,SHEET,STEEL,3/32 THICK,4 BEN	404.01
CWPF3143-221	SHROUD,SHEET,STEEL,3/32 THICK,4 BEN	404.02
CWPF3143-231	SHROUD,SHEET,STEEL,3/32 THICK,4 BEN	404.03
CWPF3143-241	SHROUD,SHEET,STEEL,3/32 THICK,4 BEN	404.04
CWPF3143-251	SHROUD,SHEET,STEEL,3/32 THICK,4 BEN	404.05
CWPF3143-261	SHROUD,SHEET,STEEL,3/32 THICK,4 BEN	404.06
CWPF3143-271	SHROUD,SHEET,STEEL,3/32 THICK,4 BEN	404.07
CWPF3143-281	SHROUD,SHEET,STEEL,3/32 THICK,4 BEN	404.08
CWPF3143-291	SHROUD,SHEET,STEEL,3/32 THICK,4 BEN	404.09
CWPF3143-301	SHROUD,SHEET,STEEL,3/32 THICK,4 BEN	404.1
CWPF3143-311	SHROUD,SHEET,STEEL,3/32 THICK,4 BEN	404.11
CWPF3143-321	SHROUD,SHEET,STEEL,3/32 THICK,4 BEN	404.12
CWPF3143-331	SHROUD,SHEET,STEEL,3/32 THICK,4 BEN	404.13
CWPF3143-341	SHROUD,SHEET,STEEL,3/32 THICK,4 BEN	404.14

CWPF3143-351	SHROUD,SHEET,STEEL,3/32 THICK,4 BEN	404.15
CWPF3143-361	SHROUD,SHEET,STEEL,3/32 THICK,4 BEN	404.16
CWPF3143-711	SHROUD,SHEET,STEEL,3/32 THICK,4 BEN	404.17
CWPF3144-721	SHROUD BRKT,PLATE,STEEL,1/8 THICK,1	405
CWTAYN031-100	SCREW, BUTTON HEAD, BLK XYLAN, 5/1	406
CWWALYN031-008	WASHER, SPLIT, 5/16 ID, BL	407
CWWBKN031-007	WASHER, FLAT, TYPE A, SAE, 5/16 ID	408
CWAC1177-101	FLOOR PROTECTOR, RUBBER, 4.563 X 4.	501
CWAC1178-101	FLOOR PROTECTOR, RUBBER, 2.563 X 6.	502
CWAC1180-101	FLOOR PROTECTOR, RUBBER, 2.563 X 4.	503

212 Tricep Pushdown Single

Part Number	Description	Bubble Number
CW212SA1-211	ASSY, FRAME, BACK SUPPORT, 212, SKY	1.01
CW212SA1-221	ASSY, FRAME, BACK SUPPORT, 212,BLAC	1.02
CW212SA1-231	ASSY, FRAME, BACK SUPPORT, 212, RED	1.03
CW212SA1-241	ASSY, FRAME, BACK SUPPORT, 212, PLA	1.04
CW212SA1-251	ASSY, FRAME, BACK SUPPORT, 212, SIL	1.05
CW212SA1-261	ASSY, FRAME, BACK SUPPORT, 212, BLU	1.06
CW212SA1-271	ASSY, FRAME, BACK SUPPORT, 212, CHA	1.07
CW212SA1-281	ASSY, FRAME, BACK SUPPORT, 212, CAT	1.08
CW212SA1-291	ASSY, FRAME, BACK SUPPORT, 212, SIL	1.09
CW212SA1-311	ASSY, FRAME, BACK SUPPORT, 212,STON	1.11
CW212SA1-321	ASSY, FRAME, BACK SUPPORT, 212, TIT	1.12
CW212SA1-331	ASSY, FRAME, BACK SUPPORT, 212, WHI	1.13
CW212SA1-341	ASSY, FRAME, BACK SUPPORT, 212, BLA	1.14
CW212SA1-351	ASSY, FRAME, BACK SUPPORT, 212, LIG	1.15
CW212SA1-361	ASSY, FRAME, BACK SUPPORT, 212, SAP	1.16
CW212302SA1-211	ASSY,FRAME,MAIN,212/302,SKY WHITE	2.01
CW212302SA1-221	ASSY,FRAME,MAIN,212/302,BLACK	2.02
CW212302SA1-231	ASSY,FRAME,MAIN,212/302,RED	2.03
CW212302SA1-241	ASSY,FRAME,MAIN,212/302,PLAT SPRKLE	2.04
CW212302SA1-251	ASSY,FRAME,MAIN,212/302,SILVER	2.05
CW212302SA1-261	ASSY,FRAME,MAIN,212/302,BLUE	2.06
CW212302SA1-271	ASSY,FRAME,MAIN,212/302,CHARCOAL	2.07
CW212302SA1-281	ASSY,FRAME,MAIN,212/302,CATH GRAY	2.08
CW212302SA1-291	ASSY,FRAME,MAIN,212/302,SILVER VIEN	2.09
CW212302SA1-311	ASSY,FRAME,MAIN,212/302,STONE HG	2.11
CW212302SA1-321	ASSY,FRAME,MAIN,212/302,TITANIUM HG	2.12
CW212302SA1-331	ASSY,FRAME,MAIN,212/302,WHITE GLOSS	2.13
CW212302SA1-341	ASSY,FRAME,MAIN,212/302,BLACK ONYX	2.14
CW212302SA1-351	ASSY,FRAME,MAIN,212/302,LT. BRONZE	2.15
CW212302SA1-361	ASSY,FRAME,MAIN,212/302,SAPPHIRE BL	2.16
CWAC1010-101	PULLEY, 6 DIA X 1/2 ID	5
CW12589-741	CARBINE, HOOK, MEDIUM, 5/16" DIA, 3	6
CW12404-101	CAP, GUIDE ROD,DIA 3/4, BLK	7
CW11311-102	ENDCAP, REC TUBE, 2X4, BLK PLASTIC	8
CW12402-101	BUMPER, WEIGHT STACK, BLK RUBBER	9
CWPF1218-711	GUIDE ROD,DIA 3/4 X (80 3/4),#8,CHM	13
CWCP8112-000	CUT PIECE, ABS CHANNEL,1/8 X 2 X 4	14
CW30012-107	CUT PIECE, ABS BLACK, 1/8 X 1 3/4 X	15
CW30012-116	CUT PIECE, ABS BLACK, 1/8 X 3 3/4 X	16
CWCLGJ084-875	ASSY, CABLE, 212	17
CWPD1104B-101	PAD,9X24,4HOLES,W/BP,BLACK	18.01
CWPD1104B-102	PAD,9X24,4HOLES,W/BP,RYL BL	18.02
CWPD1104B-103	PAD,9X24,4HOLES,W/BP,DVE GRY	18.03
CWPD1104B-104	PAD,9X24,4HOLES,W/BP,CROCUS	18.04
CWPD1104B-105	PAD,9X24,4HOLES,W/BP,GROTTO	18.05
CWPD1104B-106	PAD,9X24,4HOLES,W/BP,GRAPHITE	18.06
CWPD1104B-107	PAD,9X24,4HOLES,W/BP,RED	18.07
CWPD1104B-108	PAD,9X24,4HOLES,W/BP,CHN GRN	18.08
CWPD1104B-109	PAD,9X24,4HOLES,W/BP,TURQSE	18.09

CWPD1104B-110	PAD,9X24,4HOLES,W/BP,RASP	18.1
CWPD1104B-111	PAD,9X24,4HOLES,W/BP,PLUM	18.11
CWPD1104B-112	PAD,9X24,4HOLES,W/BP,REGIMENT	18.12
CWPD1104B-113	PAD,9X24,4HOLES,W/BP,SPC BLUE	18.13
CWPD1104B-115	PAD,9X24,4HOLES,W/BP,BLK LTHR	18.15
CWPD1104B-116	PAD,9X24,4HOLES,W/BP,NVBL LTH	18.16
CWPD1104B-117	PAD,9X24,4HOLES,W/BP,PUTTY	18.17
CWPD1104B-118	PAD,9X24,4HOLES,W/BP,IMPRL BLUE	18.18
CWPD1104B-119	PAD,9X24,4HOLES,W/BP,YEW GREEN	18.19
CWPD1104B-120	PAD,9X24,4HOLES,W/BP,DUSTY JADE	18.2
CWPD1104B-121	PAD,9X24,4HOLES,W/BP,TERRA COTTA	18.21
CWPD1104B-122	PAD,9X24,4HOLES,W/BP,PAPRIKA	18.22
CWPD1104B-123	PAD,9X24,4HOLES,W/BP,ASH LTHR	18.23
CWPD1104B-124	PAD,9X24,4HOLES,W/BP,CERULEAN LTHR	18.24
CWPD1104B-125	PAD,9X24,4HOLES,W/BP,CHARCOAL LTHR	18.25
CWPD1104B-126	PAD,9X24,4HOLES,W/BP,HUNTER LTHR	18.26
CWPD1104B-127	PAD,9X24,4HOLES,W/BP,MOSS LTHR	18.27
CWPD1104B-128	PAD,9X24,4HOLES,W/BP,SPICE LTHR	18.28
CWPD1104B-129	PAD,9X24,4HOLES,W/BP,TOMATO LTHR	18.29
CWPF1016-731	BAR,,FLAT CR/HR, 3/8 X 2 X 8 1/4, 3	19
CWSA10781-211	ASSY,FLANGED "C" FRAME,W/O BRKTS, S	20.01
CWSA10781-221	ASSY,FLANGED "C" FRAME,W/O BRKTS, B	20.02
CWSA10781-231	ASSY,FLANGED "C" FRAME,W/O BRKTS, R	20.03
CWSA10781-241	ASSY,FLANGED "C" FRAME,W/O BRKTS, P	20.04
CWSA10781-251	ASSY,FLANGED "C" FRAME,W/O BRKTS, S	20.05
CWSA10781-261	ASSY,FLANGED "C" FRAME,W/O BRKTS, B	20.06
CWSA10781-271	ASSY,FLANGED "C" FRAME,W/O BRKTS, C	20.07
CWSA10781-281	ASSY,FLANGED "C" FRAME,W/O BRKTS, C	20.08
CWSA10781-291	ASSY,FLANGED "C" FRAME,W/O BRKTS, S	20.09
CWSA10781-311	ASSY,FLANGED "C" FRAME,W/O BRKTS	20.11
CWSA10781-321	ASSY,FLANGED "C" FRAME,W/O BRKTS, T	20.12
CWSA10781-331	ASSY,FLANGED "C" FRAME,W/O BRKTS, W	20.13
CWSA10781-341	ASSY,FLANGED "C" FRAME,W/O BRKTS, B	20.14
CWSA10781-351	ASSY,FLANGED "C" FRAME,W/O BRKTS, L	20.15
CWSA10781-361	ASSY,FLANGED "C" FRAME,W/O BRKTS, S	20.16
CW31591-731	HANDLE, TRICEP PUSHDOWN, BLACK ZINC	21
CW30094-150	WEIGHT STACK,150 LBS,STP-S,19 X 05	22
CWHCYN050-100	SCREW,HEX HEAD,BLK XYLAN,1/2-13 X 1	23
CWHCYN050-500	SCREW, HEX HEAD, BLK XYLAN, 1/2-13	24
CWKDYN050-059	LOCKNUT, NYLON INSERT, FULL, UNC, 1	25
CWKADLN050-081	NUT, ACORN, 1/2-13	26
CWTAYN031-100	SCREW, BUTTON HEAD, BLK XYLAN, 5/1	28
CWTAYN031-150	SCREW, BUTTON HEAD, BLK XYLAN,5/16	29
CWBFNN050-250	STUD, 1/2-13 X 2 1/2	30
CWWBKN031-007	WASHER, FLAT, TYPE A, SAE, 5/16 ID	31
CWWBKN050-010	WASHER, FLAT, TYPE A, SAE, 1/2 ID X	32
CWWALYN031-008	WASHER, SPLIT, 5/16 ID, BL	33
CWWALYN050-013	WASHER, SPLIT, 1/2 ID, BLK XYLAN	34
CW30010-101	LABEL,WARNING STRENGTH	35
CW30028-101	LABEL,INSTRUCTION,212	36
CW31756-101	LABEL, PRECOR USA ICARIAN LINE	37

CW10505-721	ASSY, PLATE, WEIGHT, 05 LBS, WRKL B	200
CW10510-721	ASSY, PLATE, WEIGHT, 10 LBS, WRKL B	201
CWAC1133-101	BUSHING, WEIGHT PLATE, LDPE PLASTIC	203
CW30172-751	ASSY, 4.00 IN WEIGHT STACK PIN AND	227
CWLDNN038-200	PIN, ROLL, DIA 3/8 X 2	250
CW30184-901	ASSY,BARREL, TOP PLATE,ALUMINUM	251
CW10535-722	PLATE, WEIGHT, SMALLTOP (STP-S), 0	281
CW30133-711	SELECTOR STEM, 25 PLATE,0 .875 DIA,	310
CW30011-101	LABEL,WARNING WEIGHT STACK	311
CW12401-102	LABEL, WEIGHT PLATE, 10 LBS/ 4.6 KG	315
CW12401-104	LABEL, WEIGHT PLATE, 15 LBS/ 6.8 KG	317
CW12401-106	LABEL, WEIGHT PLATE, 20 LBS/ 8 KG	319
CW12401-108	LABEL, WEIGHT PLATE, 25 LBS/ 11.4 K	321
CW12401-110	LABEL, WEIGHT PLATE, 30 LBS/ 13.6 K	323
CW12401-112	LABEL, WEIGHT PLATE, 35 LBS/ 15.9 K	325
CW12401-114	LABEL, WEIGHT PLATE, 40 LBS/ 18.2 K	327
CW12401-116	LABEL, WEIGHT PLATE, 45 LBS/ 20.5 K	329
CW12401-118	LABEL, WEIGHT PLATE, 50 LBS/ 22.7 K	331
CW12401-119	LABEL, WEIGHT PLATE, 55 LBS/ 25 KG	332
CW12401-120	LABEL, WEIGHT PLATE, 60 LBS/ 27.3 K	333
CW12401-121	LABEL, WEIGHT PLATE, 65 LBS/ 29.5 K	334
CW12401-122	LABEL, WEIGHT PLATE, 70 LBS/ 31.8 K	335
CW12401-123	LABEL, WEIGHT PLATE, 75 LBS/ 34.1 K	336
CW12401-124	LABEL, WEIGHT PLATE, 80 LBS/ 36.4 K	337
CW12401-125	LABEL, WEIGHT PLATE, 85 LBS/ 38.6 K	338
CW12401-126	LABEL, WEIGHT PLATE, 90 LBS/ 40.9 K	339
CW12401-127	LABEL, WEIGHT PLATE, 95 LBS/ 43.2 K	340
CW12401-128	LABEL, WEIGHT PLATE, 100 LBS/ 45.5	341
CW12401-129	LABEL, WEIGHT PLATE, 110 LBS/ 50 KG	342
CW12401-130	LABEL, WEIGHT PLATE, 120 LBS/ 54.6	343
CW12401-131	LABEL, WEIGHT PLATE, 130 LBS/ 59.1	344
CW12401-132	LABEL, WEIGHT PLATE, 140 LBS/ 63.6	345
CW12401-133	LABEL, WEIGHT PLATE, 150 LBS/ 68.2	346
CW12537-109	NUT,INSERT,THIN-NUT,LARGE FLANGE	400
CW30126-101	LABEL,VINYL, PRECOR, 3.25 X 18.0	401
CWKAYN031-025	LOCKNUT, NYLON INSERT, HALF, UNC,	402
CWPF2309-721	BAR, FLAT 3/16 X 1 X (30 3/4), 4 BE	403
CWPF3143-211	SHROUD,SHEET,STEEL,3/32 THICK,4 BEN	404.01
CWPF3143-221	SHROUD,SHEET,STEEL,3/32 THICK,4 BEN	404.02
CWPF3143-231	SHROUD,SHEET,STEEL,3/32 THICK,4 BEN	404.03
CWPF3143-241	SHROUD,SHEET,STEEL,3/32 THICK,4 BEN	404.04
CWPF3143-251	SHROUD,SHEET,STEEL,3/32 THICK,4 BEN	404.05
CWPF3143-261	SHROUD,SHEET,STEEL,3/32 THICK,4 BEN	404.06
CWPF3143-271	SHROUD,SHEET,STEEL,3/32 THICK,4 BEN	404.07
CWPF3143-281	SHROUD,SHEET,STEEL,3/32 THICK,4 BEN	404.08
CWPF3143-291	SHROUD,SHEET,STEEL,3/32 THICK,4 BEN	404.09
CWPF3143-301	SHROUD,SHEET,STEEL,3/32 THICK,4 BEN	404.1
CWPF3143-311	SHROUD,SHEET,STEEL,3/32 THICK,4 BEN	404.11
CWPF3143-321	SHROUD,SHEET,STEEL,3/32 THICK,4 BEN	404.12
CWPF3143-331	SHROUD,SHEET,STEEL,3/32 THICK,4 BEN	404.13
CWPF3143-341	SHROUD,SHEET,STEEL,3/32 THICK,4 BEN	404.14

CWPF3143-351	SHROUD,SHEET,STEEL,3/32 THICK,4 BEN	404.15
CWPF3143-361	SHROUD,SHEET,STEEL,3/32 THICK,4 BEN	404.16
CWPF3143-711	SHROUD,SHEET,STEEL,3/32 THICK,4 BEN	404.17
CWPF3144-721	SHROUD BRKT,PLATE,STEEL,1/8 THICK,1	405
CWTAYN031-100	SCREW, BUTTON HEAD, BLK XYLAN, 5/1	406
CWWALYN031-008	WASHER, SPLIT, 5/16 ID, BL	407
CWWBKN031-007	WASHER, FLAT, TYPE A, SAE, 5/16 ID	408
CWAC1177-101	FLOOR PROTECTOR, RUBBER, 4.563 X 4.	501
CWAC1178-101	FLOOR PROTECTOR, RUBBER, 2.563 X 6.	502
CWAC1180-101	FLOOR PROTECTOR, RUBBER, 2.563 X 4.	503